



15.6" All-in-One POS Terminal



Specifications

| System | |
|------------------------|--|
| CPU Support | Intel® Core™ i5-1245UE / Core™ i3-1215UE / Celeron® 7305E |
| Memory | DDR4, 1 x 260-pin SO-DIMM, Max.up to 32GB |
| Network | 10/100/1000/2.5G Mbps |
| Power Supply | 60/90 watt power adapter |
| Audio | 2.5W speaker |
| System Weight | With power adapter approx. 5 kg |
| Dimensions (W x H x D) | 372 x 169 x 315 mm |
| O.S. Support | Windows® 11 / Windows® 10 |
| Storage | |
| SATA | SATA III |
| I/O Ports | |
| USB | Rear: 2 x USB 2.0 / 2 x USB 3.1 Side: 1 x USB 2.0 |
| Serial Ports | 3 x RJ-45 (COM1,2 support 5V/12V selectable by jumper), RS232 interface |
| LAN | 1 x 2.5 GbE LAN (RJ45) |
| HDMI | 1 x HDMI® |
| Cash Drawer | 1 x RJ11 (+12V or +24V selectable) |
| DC In | 1 x 4-pin DC power jack |
| Optional | 1 x DB9 RS-232 (+5V/+12V selectable); 1 x DB-15 VGA interface; 1 x Line Out; 1 x Mic In; 1 x RJ11 Cash Drawer port |
| Add-ons | |
| Customer Display | VFD, 20 columns and 2 lines, each column is 16 x16 dots |
| Printer | 2" or 3" easy loading thermal printer with auto-cutter |
| MSR & iButton | MSR: JIS I or II, ISO Track1+2+3 (USB interface); iButton: USB |
| Fingerprint | 8 bits, 256 level for Gray Scale |
| Display | |
| LCD | 15.6" TFT LCD |
| Resolution | 1366 x 768 |
| Brightness | 220 cd/m ² |
| Touchscreen | 15.6" capacitive touch panel, USB interface |
| Tilt Angle | 40 degree |
| Environment | |
| EMC & Safety | CE / FCC |
| Operating Temp. | 0°C~35°C |
| Storage Temp. | -20°C~85°C |
| Humidity | 20%~90% |



Features

- 15.6" LCD display with bezel-free capacitive touch
- Versatile design for multiple applications
- Optional MSR / i-Button / Fingerprint / VFD / RFID / 2" or 3" Thermal Printer / Barcode Scanner / Wireless LAN

Application

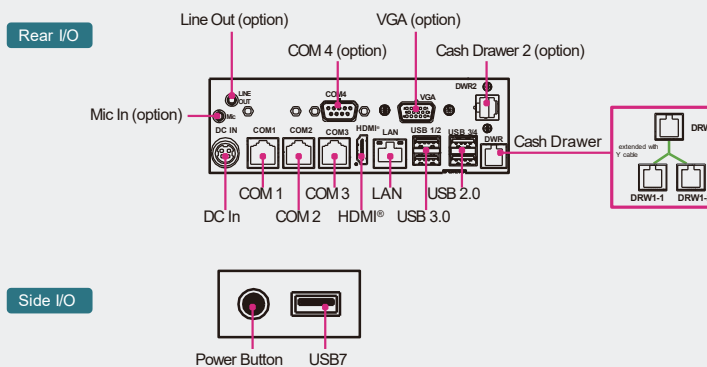
- Information
- Hospitality
- Food Service
- Banking
- Retail



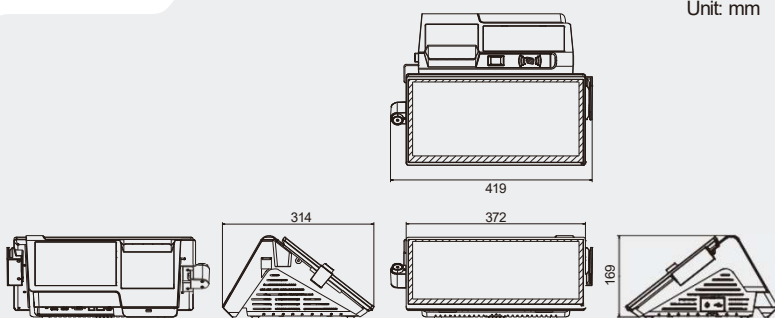
Highlights



System I/O Ports



Dimensions



Unit: mm