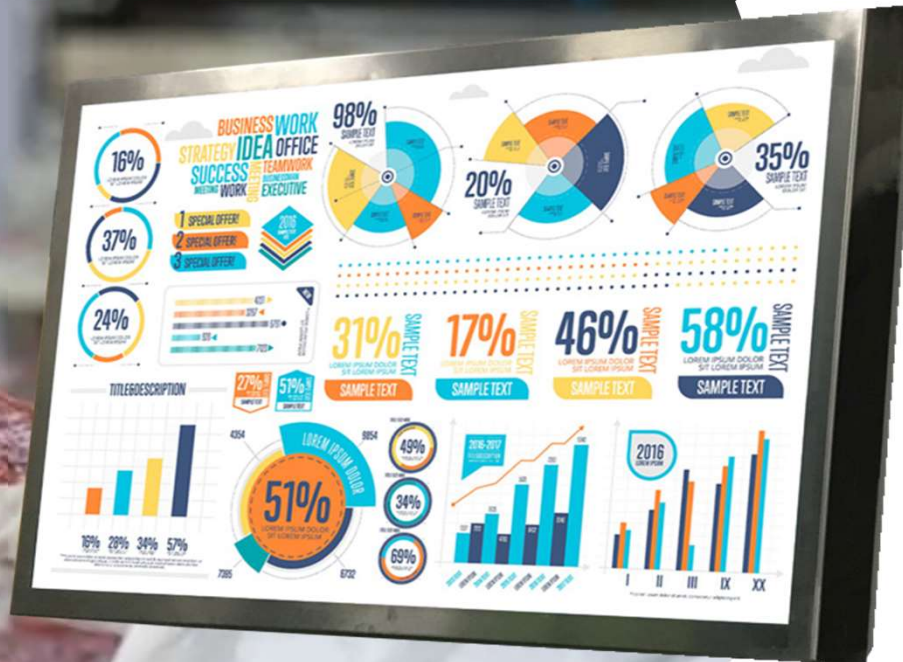




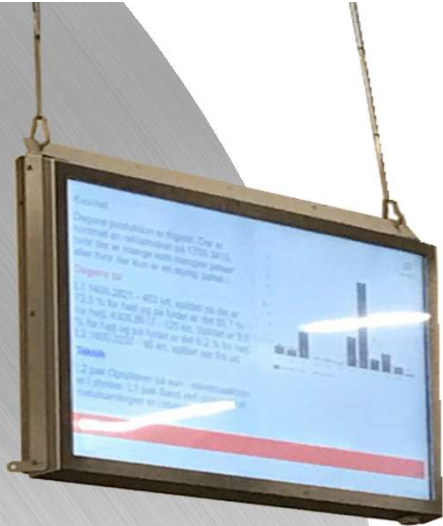
Foodteq
A PART OF TECHON7 GROUP



FT460

Technical information

TECH SOLUTIONS FOR FOOD INDUSTRY



FT460

CPU

Intel® Core™ i3-4100E
Processor 2,4 GHz

CHIPSET

Intel® HM86

SYSTEM MEMORY

4GB DDR3L-1600
(can be other size on request)

HDMI PORT

2 x HDMI Port

LAN

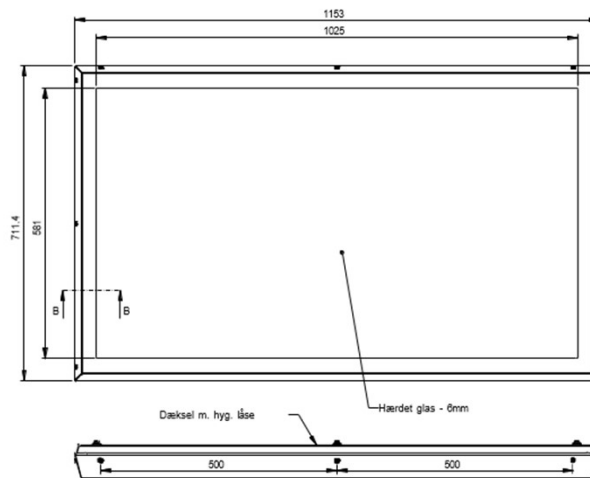
2 x 10/100/1000

DISPLAY AND TOUCH

Size:	46" TFT LCD
Format:	16:09
Resolution:	1920 x 1080
LED lifetime:	50.000 Hours
Contrast ratio:	4000 : 1 (typ.)
White Luminance:	700 (typ.) cd/m ²
Response time:	8ms(typ.)
Viewing angle:	12 o'clock = 80° 9 o'clock = 80° 6 o'clock = 80° 3 o'clock = 80°

I/O

Serial port:	2 x RS232 2 x RS232/422/485 (Optional)
USB port:	4 x USB 2.0 2 x USB 3.0
Power in:	1 x IEC C14 power connector (male)
Power out:	5VDC 1A



POWER SUPPLY

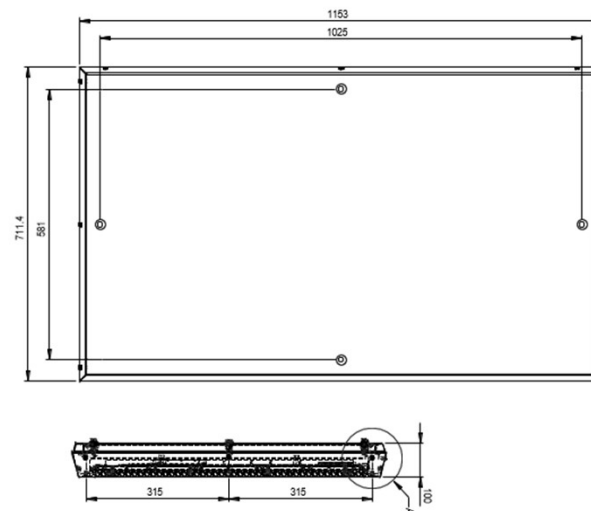
Voltage:	100 - 240 VAC, 50/60 Hz
Power consumption:	220 Watt

STORAGE

Type:	128GB SSD 2.5" SATA (can be other size on request)
Expansion type:	Full-Size Mini-PCI Express mini card with MSata

MECHANICAL AND ENVIRONMENT

Cabinet:	AISI 316 stainless steel
Dimensions (D, H, W):	100 x 711,4 x 1153 mm
Weight:	38 kg
IP Rating:	IP65 (IP66 at cable input) (Supports IP68 cable input)
Operating temperature:	-5°C to + 35 °C
Storage temperature:	-20°C to + 60 °C
Operating Humidity:	10% to 95% not condensing
Emission:	EN 61000-6-3
Immunity:	EN 61000-6-2



Foodteq
– a part of Techon7 Group
Centerbakken 1A
DK-7100 Vejle
+45 7060 2777
Foodteq.dk